



**Serrature da infilare a cilindro**

*Mortice locks for profile cylinder*



2200

Serie

**2200**



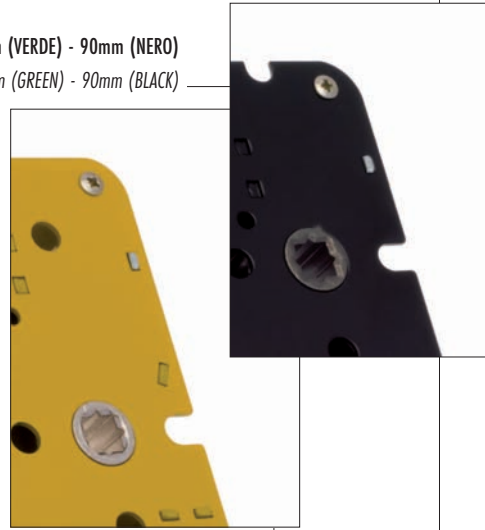
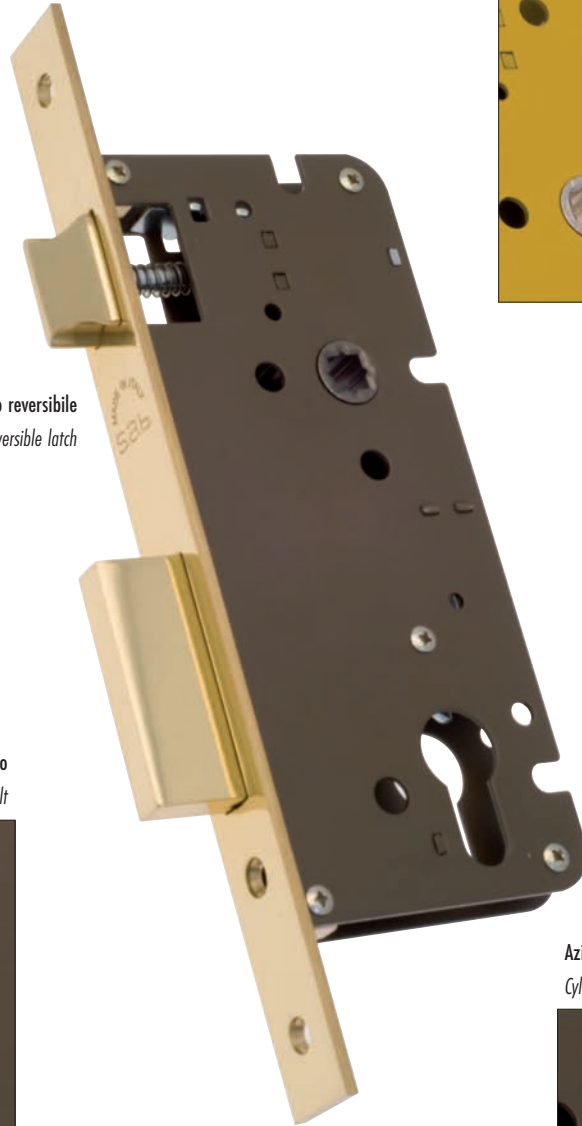
**Serrature da infilare a cilindro**  
*Mortice locks for profile cylinder*

Stacco maniglia 72mm (GIALLO) - 85mm (VERDE) - 90mm (NERO)  
 Handle Distance 72mm (YELLOW) - 85mm (GREEN) - 90mm (BLACK)

Rullo registrabile  
 Adjustable roller



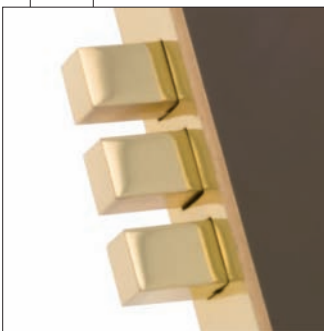
Scrocco reversibile  
 Reversible latch



Fori passanti interasse DIN per l'applicazione di placche maniglia e rosette  
 Through holes, DIN standard, to apply handles plates and roses

Entrate standard da 40mm a 80mm  
 Standard backset from 40mm to 80mm

Catenaccio antistrappo con spine antitaglio  
 Anti-tamper proof and anti-saw dead bolt



Frontale Ottone 22mm - Bordo quadro o Tondo  
 Brass frontal plate 22mm - Square or Round edge



Azionamento a cilindro, Quadro 8mm, Chiave patent  
 Cylinder movement, square hole 8mm, patent key



Serie  
**2200**



Serrature da infilare a cilindro  
 Mortice locks for profile cylinder

**2200/85-2205/85**

**Catenaccio Antistrappo e Scrocco**  
**1-2 Mandate**  
**Azionamento a cilindro**

**FINITURA DI SERIE**

- Piastra frontale, Catenaccio, Scrocco OLV

**DOTAZIONE**

- Contropiastra con aletta Art. 357 OLV
- Vaschetta coprifresata scrocco e catenaccio Art. C371
- Viti di fissaggio
- **CILINDRO ESCLUSO**

*Tamper proof bolt and latch*  
*1-2 Turns*  
*Cylinder movement*

**STANDARD FINISHINGS**

- Front plate, Bolt, Latch OLV

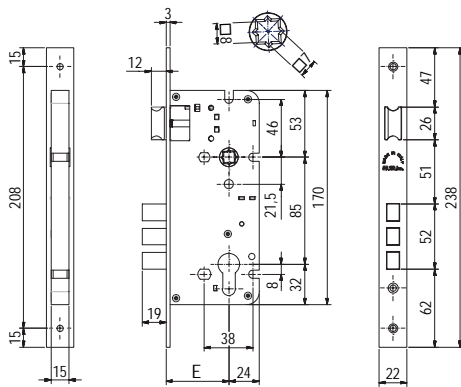
**ACCESSORIES**

- Striking plate with tab Art. 357 OLV
- Plastic bolt and latch milling cover Art. C371
- Fixing screws
- **CYLINDER NOT INCLUDED**

Serie **2200**



Serrature da infilare a cilindro  
 Morrice locks for profile cylinder



**2200/85**  
**2205/85**

**Catenaccio Antistrappo e Scrocco | 1-2 Mandate | Azionamento a cilindro**  
*Tamper proof bolt and latch | 1-2 Turns | Cylinder movement*

Codice Code	Finitura Finishing						
02200 85 45 ___ 7	---						
02200 85 50 ___ 7	---						
02200 85 60 ___ 7	---	2					
02200 85 70 ___ 7	---						
02200 85 80 ___ 7	---		22x3x238	85			1 20
02205 85 45 ___ 7	---						
02205 85 50 ___ 7	---						
02205 85 60 ___ 7	---	1					
02205 85 70 ___ 7	---						
02205 85 80 ___ 7	---						

**Finiture Standard | Standard Finishings**

**Finiture Speciali | Special Finishings**

Finitura Finishing	OLV	OS	OCL OCS ONS	OB OGR OGM	PLO	AB SFE	OBL OBS	PVD	XSO INOX
---									

**T2200/85-T2205/85**

**Catenaccio Antistrappo e Scrocco**

1-2 Mandate

Azionamento a cilindro

Bordo Tondo

**FINITURA DI SERIE**

- Piastra frontale, Catenaccio, Scrocco OLV

**DOTAZIONE**

- Contropiastra con aletta Art. T357 OLV
- Vaschetta coprifresata scrocco e catenaccio Art. C371
- Viti di fissaggio
- CILINDRO ESCLUSO

Tamper proof bolt and latch

1-2 Turns

Cylinder movement

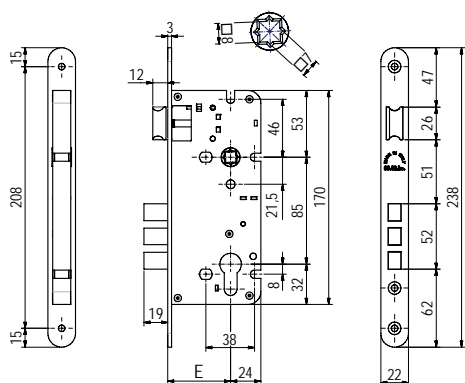
Round Edge

**STANDARD FINISHINGS**

- Front plate, Bolt, Latch OLV

**ACCESSORIES**

- Striking plate with tab Art. T357 OLV
- Plastic bolt and latch milling cover Art. C371
- Fixing screws
- CYLINDER NOT INCLUDED



**T2200/85  
T2205/85**

Catenaccio Antistrappo e Scrocco | 1-2 Mandate | Azionamento a cilindro | Bordo Tondo

Tamper proof bolt and latch | 1-2 Turns | Cylinder movement | Round Edge

Codice Code	Finitura Finishing						
T2200 85 45 ___ 7	---					45	
T2200 85 50 ___ 7	---					50	
T2200 85 60 ___ 7	---	2				60	
T2200 85 70 ___ 7	---					70	
T2200 85 80 ___ 7	---		22x3x238	85		80	1 20
T2205 85 45 ___ 7	---					45	
T2205 85 50 ___ 7	---					50	
T2205 85 60 ___ 7	---	1				60	
T2205 85 70 ___ 7	---					70	
T2205 85 80 ___ 7	---					80	

**Finiture Standard | Standard Finishings**

**Finiture Speciali | Special Finishings**

Finitura Finishing	OLV	OS	OCL OCS ONS	OB OGR OGM	PLO	AB SFE	OBL OBS	PVD	XSO INOX
---									

Serie  
**2200**



Serrature da infilare a cilindro  
Mortice locks for profile cylinder

**2210/85-2215/85**

Catenaccio e Scrocco  
1-2 Mandate  
Azionamento a cilindro

FINITURA DI SERIE

- Piastra frontale, Catenaccio, Scrocco OLV

DOTAZIONE

- Contropiastra con aletta Art. 357 OLV
- Vaschetta coprifresata scrocco e catenaccio Art. C371
- Viti di fissaggio
- CILINDRO ESCLUSO

Bolt and Latch  
1-2 Turns  
Cylinder movement

STANDARD FINISHINGS

- Front plate, Bolt, Latch OLV

ACCESSORIES

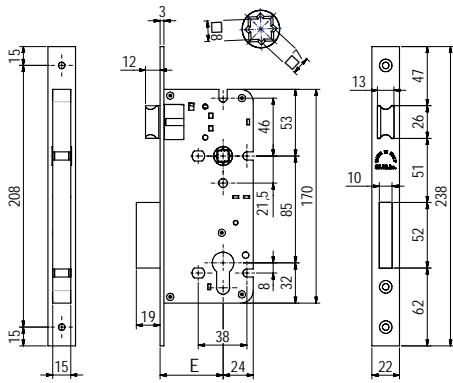
- Striking plate with tab Art. 357 OLV
- Plastic bolt and latch milling cover Art. C371
- Fixing screws
- CYLINDER NOT INCLUDED



Serie **2200**



Serrature da infilare a cilindro  
Morice locks for profile cylinder



**2210/85**  
**2215/85**

Catenaccio e Scrocco | 1-2 Mandate | Azionamento a cilindro

Bolt and Latch | 1-2 Turns | Cylinder movement

Codice Code	Finitura Finishing						
02210 85 40 ___ 7							40
02210 85 45 ___ 7							45
02210 85 50 ___ 7							50
02210 85 60 ___ 7							60
02210 85 70 ___ 7							70
02210 85 80 ___ 7							80
02215 85 40 ___ 7		2	22x3x238	85		1	20
02215 85 45 ___ 7							40
02215 85 45 ___ 7							45
02215 85 50 ___ 7							50
02215 85 60 ___ 7		1					60
02215 85 70 ___ 7							70
02215 85 80 ___ 7							80

Finiture Standard | Standard Finishings

Finiture Speciali | Special Finishings

Finitura Finishing	OLV	OS	OCL OCS ONS	OB OGR OGM	PLO	AB SFE	OBL OBS	PVD	XSO INOX
---									

**T2210/85-T2215/85**

Catenaccio e Scrocco  
1-2 Mandate  
Azionamento a cilindro  
Bordo Tondo

FINITURA DI SERIE

- Piastra frontale, Catenaccio, Scrocco OLV

DOTAZIONE

- Contropiastra con aletta Art. T357 OLV
- Vaschetta coprifresata scrocco e catenaccio Art. C371
- Viti di fissaggio
- CILINDRO ESCLUSO

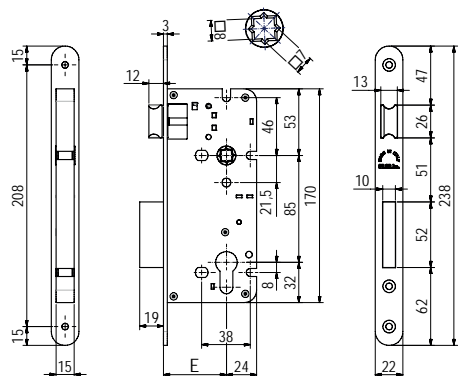
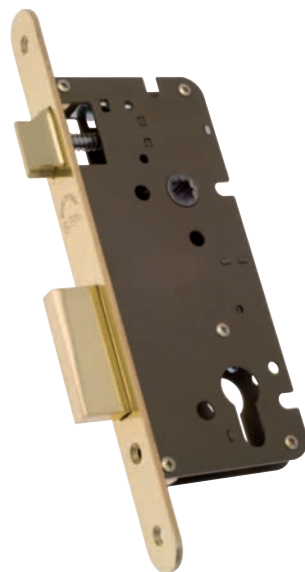
Bolt and Latch  
1-2 Turns  
Cylinder movement  
Round Edge

STANDARD FINISHINGS

- Front plate, Bolt, Latch OLV

ACCESSORIES

- Striking plate with tab Art. T357 OLV
- Plastic bolt and latch milling cover Art. C371
- Fixing screws
- CYLINDER NOT INCLUDED



**T2210/85**  
**T2215/85**

Catenaccio e Scrocco | 1-2 Mandate | Azionamento a cilindro | Bordo Tondo  
Bolt and Latch | 1-2 Turns | Cylinder movement | Round Edge

Codice Code	Finitura Finishing						
T2210 85 40 ___ 7	---						40
T2210 85 45 ___ 7	---						45
T2210 85 50 ___ 7	---						50
T2210 85 60 ___ 7	---	2					60
T2210 85 70 ___ 7	---						70
T2210 85 80 ___ 7	---		22x3x238	85		1	80
T2215 85 40 ___ 7	---						40
T2215 85 45 ___ 7	---						45
T2215 85 50 ___ 7	---						50
T2215 85 60 ___ 7	---	1					60
T2215 85 70 ___ 7	---						70
T2215 85 80 ___ 7	---						80

Finitura Finishing	Finiture Standard   Standard Finishings				Finiture Speciali   Special Finishings				
	OLV	OS	OCL OCS ONS	OB OGR OGM	PLO	AB SFE	OBL OBS	PVD	XSO INOX
---									

Serie  
**2200**



Serrature da infilare a cilindro  
Mortice locks for profile cylinder



**2100-2105**

**Catenaccio Antistrappo**  
**1-2 Mandate**  
**Azionamento a cilindro**

**FINITURA DI SERIE**

- Piastra frontale, Catenaccio OLV

**DOTAZIONE**

- Contropiastra Art. 354 OLV
- Vaschetta coprifresata scrocco e catenaccio Art. C371
- Viti di fissaggio
- **CILINDRO ESCLUSO**

*Tamper proof bolt*  
*1-2 Turns*  
*Cylinder movement*

**STANDARD FINISHINGS**

- Front plate, Bolt OLV

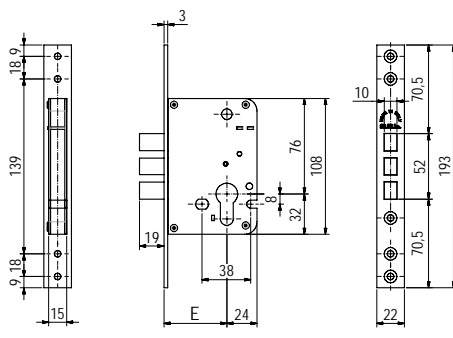
**ACCESSORIES**

- Striking plate Art. 354 OLV
- Plastic bolt and latch milling cover Art. C371
- Fixing screws
- **CYLINDER NOT INCLUDED**

Serie **2200**



Serrature da infilare a cilindro  
 Mortice locks for profile cylinder



**2100** Catenaccio Antistrappo | 1-2 Mandate | Azionamento a cilindro  
**2105** Tamper proof bolt | 1-2 Turns | Cylinder movement

Codice Code	Finitura Finishing					
02100 45 ___ 4						45
02100 50 ___ 4						50
02100 60 ___ 4		2				60
02100 70 ___ 4						70
02100 80 ___ 4			22x3x193			80
02105 45 ___ 4					1	45
02105 50 ___ 4						50
02105 60 ___ 4		1				60
02105 70 ___ 4						70
02105 80 ___ 4						80

Finitura Finishing	Finiture Standard   Standard Finishings				Finiture Speciali   Special Finishings				
	OLV	OS	OCL OCS ONS	OB OGR OGM	PLO	AB SFE	OBL OBS	PVD	XSO INOX
---									



**T2100-T2105**

Catenaccio Antistrappo  
1-2 Mandate  
Azionamento a cilindro  
Bordo Tondo

FINITURA DI SERIE

- Piastra frontale, Catenaccio OLV

DOTAZIONE

- Contropiastra Art. T354 OLV
- Vaschetta coprifresata scrocco e catenaccio Art. C371
- Viti di fissaggio
- CILINDRO ESCLUSO

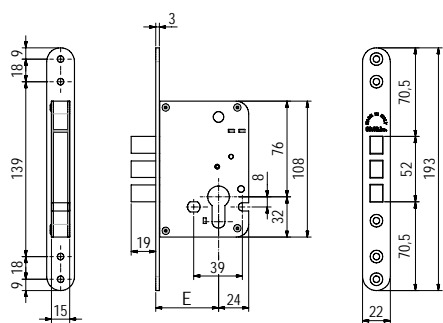
Tamper proof bolt  
1-2 Turns  
Cylinder movement  
Round Edge

STANDARD FINISHINGS

- Front plate, Bolt OLV

ACCESSORIES

- Striking plate Art. T354 OLV
- Plastic bolt and latch milling cover Art. C371
- Fixing screws
- CYLINDER NOT INCLUDED



**T2100**  
**T2105**

Catenaccio Antistrappo | 1-2 Mandate | Azionamento a cilindro | Bordo Tondo

Tamper proof bolt | 1-2 Turns | Cylinder movement | Round Edge

Codice Code	Finitura Finishing					
T2100 45 ___ 4	---					45
T2100 50 ___ 4	---					50
T2100 60 ___ 4	---	2				60
T2100 70 ___ 4	---					70
T2100 80 ___ 4	---		22x3x193			80
T2105 45 ___ 4	---				1	45
T2105 50 ___ 4	---					50
T2105 60 ___ 4	---	1				60
T2105 70 ___ 4	---					70
T2105 80 ___ 4	---					80

Finiture Standard | Standard Finishings

Finiture Speciali | Special Finishings

Finitura Finishing	OLV	OS	OCL OCS ONS	OB OGR OGM	PLO	AB SFE	OBL OBS	PVD	XSO INOX
---									

Serie  
**2200**



Serrature da infilare a cilindro  
Mortice locks for profile cylinder

**2110-2115**

Solo Catenaccio  
1-2 Mandate  
Azionamento a cilindro

FINITURA DI SERIE

- Piastra frontale, Catenaccio OLV

DOTAZIONE

- Contropiastra Art. 354 OLV
- Vaschetta coprifresata scrocco e catenaccio Art. C371
- Viti di fissaggio
- CILINDRO ESCLUSO

Bolt only  
1-2 Turns  
Cylinder movement

STANDARD FINISHINGS

- Front plate, Bolt OLV

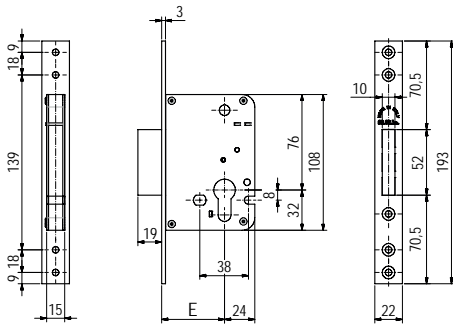
ACCESSORIES

- Striking plate Art. 354 OLV
- Plastic bolt and latch milling cover Art. C371
- Fixing screws
- CYLINDER NOT INCLUDED

Serie **2200**



Serrature da infilare a cilindro  
Morlice locks for profile cylinder



**2110** Solo Catenaccio | 1-2 Mandate | Azionamento a cilindro  
**2115** Bolt only | 1-2 Turns | Cylinder movement

Codice Code	Finitura Finishing					
02110 40 ___ 4				40		
02110 45 ___ 4				45		
02110 50 ___ 4		2		50		
02110 60 ___ 4				60		
02110 70 ___ 4				70		
02110 80 ___ 4			22x3x193	80		
02115 40 ___ 4				40	1	25
02115 45 ___ 4				45		
02115 50 ___ 4		1		50		
02115 60 ___ 4				60		
02115 70 ___ 4				70		
02115 80 ___ 4				80		

Finiture Standard | Standard Finishings

Finiture Speciali | Special Finishings

Finitura Finishing	OLV	OS	OCL OCS ONS	OB OGR OGM	PLO	AB SFE	OBL OBS	PVD	XSO INOX
---									

**T2110-T2115**

Solo Catenaccio  
1-2 Mandate  
Azionamento a cilindro  
Bordo Tondo

Bolt only  
1-2 Turns  
Cylinder movement  
Round Edge

FINITURA DI SERIE

- Piastra frontale, Catenaccio OLV

STANDARD FINISHINGS

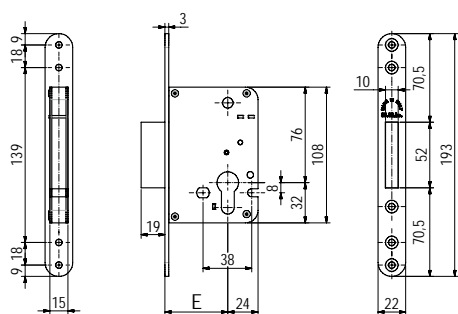
- Front plate, Bolt OLV

DOTAZIONE

- Contropiastra Art. T354 OLV  
- Vaschetta coprifresata scrocco e catenaccio Art. C371  
- Viti di fissaggio  
- CILINDRO ESCLUSO

ACCESSORIES

- Striking plate Art. T354 OLV  
- Plastic bolt and latch milling cover Art. C371  
- Fixing screws  
- CYLINDER NOT INCLUDED



**T2110**  
**T2115**

Solo Catenaccio | 1-2 Mandate | Azionamento a cilindro | Bordo Tondo

Bolt only | 1-2 Turns | Cylinder movement | Round Edge

Codice Code	Finitura Finishing	Icona 1	Icona 2	Icona 3	Icona 4	Icona 5
T2110 40 ___ 4	---					40
T2110 45 ___ 4	---					45
T2110 50 ___ 4	---	2				50
T2110 60 ___ 4	---					60
T2110 70 ___ 4	---					70
T2110 80 ___ 4	---		22x3x193			80
T2115 40 ___ 4	---				1	25
T2115 45 ___ 4	---					45
T2115 50 ___ 4	---	1				50
T2115 60 ___ 4	---					60
T2115 70 ___ 4	---					70
T2115 80 ___ 4	---					80

Finitura Finishing	Finiture Standard   Standard Finishings				Finiture Speciali   Special Finishings				
	OLV	OS	OCL OCS ONS	OB OGR OGM	PLO	AB SFE	OBL OBS	PVD	XSO INOX
---									

Serie  
**2200**



Serrature da infilare a cilindro  
Mortice locks for profile cylinder

**2150**

Solo Scrocco

FINITURA DI SERIE

- Piastra frontale, Scrocco OLV

DOTAZIONE

- Contropiastra con aletta Art. 355 OLV
- Vaschetta coprifresata scrocco e catenaccio Art. C371
- Viti di fissaggio

Latch only

STANDARD FINISHINGS

- Front plate, Latch OLV

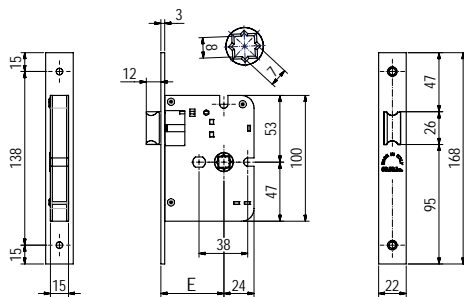
ACCESSORIES

- Striking plate with tab Art. 355 OLV
- Plastic bolt and latch milling cover Art. C371
- Fixing screws

Serie **2200**







Serrature da infilare a cilindro  
Mortice locks for profile cylinder



**2150**

Solo Scrocco

Latch only

Codice Code	Finitura Finishing				
02150 40 ___ 5	---	22x3x168	40	1	25
02150 45 ___ 5	---		45		
02150 50 ___ 5	---		50		
02150 60 ___ 5	---		60		
02150 70 ___ 5	---		70		
02150 80 ___ 5	---		80		

Finiture Standard | Standard Finishings

Finiture Speciali | Special Finishings

Finitura Finishing	OLV	OS	OCL OCS ONS	OB OGR OGM	PLO	AB SFE	OBL OBS	PVD	XSO INOX
---									

**T2150**

Solo Scrocco  
Bordo Tondo

FINITURA DI SERIE

- Piastra frontale, Scrocco OLV

DOTAZIONE

- Contropiastra con aletta Art. T355 OLV
- Vaschetta coprifresata scrocco e catenaccio Art. C371
- Viti di fissaggio

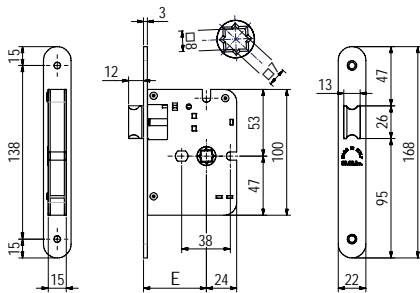
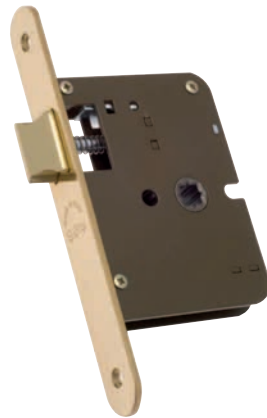
Latch only  
Round Edge

STANDARD FINISHINGS

- Front plate, Latch OLV

ACCESSORIES





- Striking plate with tab Art. T355 OLV
- Plastic bolt and latch milling cover Art. C371
- Fixing screws



**T2150**

Solo Scrocco | Bordo Tondo

Latch only | Round Edge

Codice Code	Finitura Finishing				
T2150 40 ___ 5	---		40		
T2150 45 ___ 5	---		45		
T2150 50 ___ 5	---		50		
T2150 60 ___ 5	---	22x3x168	60	1	25
T2150 70 ___ 5	---		70		
T2150 80 ___ 5	---		80		

Finitura Finishing	Finiture Standard   Standard Finishings				Finiture Speciali   Special Finishings				
	OLV	OS	OCL OCS ONS	OB OGR OGM	PLO	AB SFE	OBL OBS	PVD	XSO INOX
---									

Serie  
**2200**



Serrature da infilare a cilindro  
Mortice locks for profile cylinder

**2160**

**Solo Scrocco**

**FINITURA DI SERIE**

- Piastra frontale, Scrocco OLV

**DOTAZIONE**

- Contropiastra con aletta Art. 357S OLV
- Vaschetta coprifresata scrocco e catenaccio Art. C371
- Viti di fissaggio

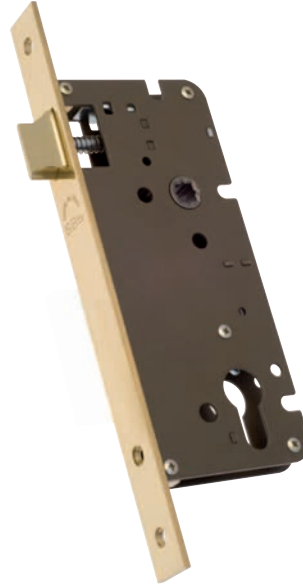
*Latch only*

**STANDARD FINISHINGS**

- Front plate, Latch OLV

**ACCESSORIES**

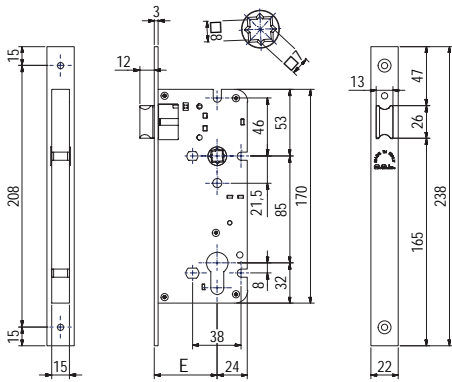
- Striking plate with tab Art. 357S OLV
- Plastic bolt and latch milling cover Art. C371
- Fixing screws



Serie **2200**



Serrature da infilare a cilindro  
Mortice locks for profile cylinder



**2160**

**Solo Scrocco**

*Latch only*

Codice Code	Finitura Finishing				
02160 40 ___ 5					
02160 45 ___ 5					
02160 50 ___ 5					
02160 60 ___ 5		22x3x238		1	20
02160 70 ___ 5					
02160 80 ___ 5					

**Finiture Standard | Standard Finishings**

**Finiture Speciali | Special Finishings**

Finitura Finishing	OLV	OS	OCL OCS ONS	OB OGR OGM	PLO	AB SFE	OBL OBS	PVD	XSO INOX
---									

**T2160**

Solo Scrocco  
Bordo Tondo

FINITURA DI SERIE

- Piastra frontale, Scrocco OLV

DOTAZIONE

- Contropiastra con aletta Art. T357S OLV
- Vaschetta coprifresata scrocco e catenaccio Art. C371
- Viti di fissaggio

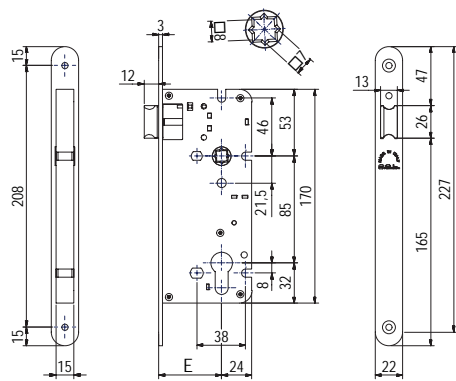
Latch only  
Round Edge

STANDARD FINISHINGS

- Front plate, Latch OLV

ACCESSORIES





- Striking plate with tab Art. T357S OLV
- Plastic bolt and latch milling cover Art. C371
- Fixing screws



**T2160**

Solo Scrocco | Bordo Tondo

Latch only | Round Edge

Codice Code	Finitura Finishing				
T2160 40 ___ 5	---		40		
T2160 45 ___ 5	---		45		
T2160 50 ___ 5	---		50		
T2160 60 ___ 5	---	22x3x238	60	1	20
T2160 70 ___ 5	---		70		
T2160 80 ___ 5	---		80		

Finitura Finishing	Finiture Standard   Standard Finishings				Finiture Speciali   Special Finishings				
	OLV	OS	OCL OCS ONS	OB OGR OGM	PLO	AB SFE	OBL OBS	PVD	XSO INOX
---									

Serie  
**2200**



Serrature da infilare a cilindro  
Mortice locks for profile cylinder



**2216/85**

Serratura per bagno  
 Doppio quadro 8mm  
 Catenaccio e Scrocco  
 1 Mandata  
 Azionamento quadro 8mm

FINITURA DI SERIE

- Piastra frontale, Catenaccio, Scrocco OLV

DOTAZIONE

- Contropiastra con aletta Art. 357 OLV
- Vaschetta coprifresata scrocco e catenaccio Art. C371
- Viti di fissaggio

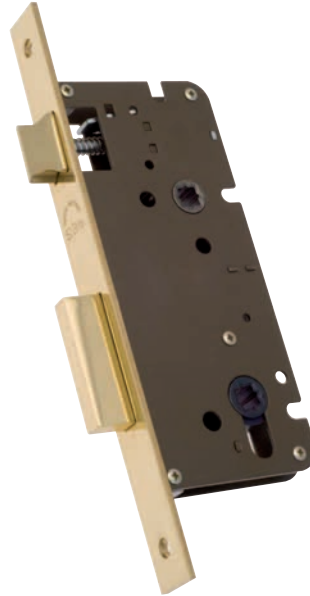
Bathroom lock  
 Double square hole 8mm  
 Bolt and Latch  
 1 Turn  
 Square hole movement

STANDARD FINISHINGS

- Front plate, Bolt, Latch OLV

ACCESSORIES

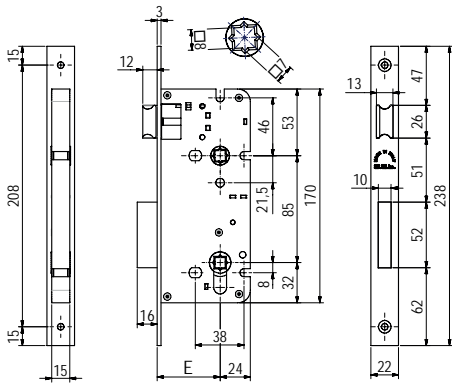
- Striking plate with tab Art. 357 OLV
- Plastic bolt and latch milling cover Art. C371
- Fixing screws



Serie **2200**



Serrature da infilare a cilindro  
 Mortice locks for profile cylinder



**2216/85**

Serratura per bagno | Doppio quadro 8mm | Catenaccio e Scrocco | 1 Mandata | Azionamento quadro 8mm

Bathroom lock | Double square hole 8mm | Bolt and Latch | 1 Turn | Square hole movement

Codice Code	Finitura Finishing						
02216 85 40 ___ 7	---					40	
02216 85 45 ___ 7	---					45	
02216 85 50 ___ 7	---					50	
02216 85 60 ___ 7	---	1	22x3x238	85		60	1 20
02216 85 70 ___ 7	---					70	
02216 85 80 ___ 7	---					80	

Finiture Standard | Standard Finishings

Finiture Speciali | Special Finishings

Finitura Finishing	OLV	OS	OCL OCS ONS	OB OGR OGM	PLO	AB SFE	OBL OBS	PVD	XSO INOX
---									

**T2216/85**

Serratura per bagno  
Doppio quadro 8mm  
Catenaccio e Scrocco  
1 Mandata  
Azionamento quadro 8mm | Bordo Tondo

**FINITURA DI SERIE**

- Piastra frontale, Catenaccio, Scrocco OLV

**DOTAZIONE**

- Contropiastra con aletta Art. T357 OLV
- Vaschetta coprifresata scrocco e catenaccio Art. C371
- Viti di fissaggio

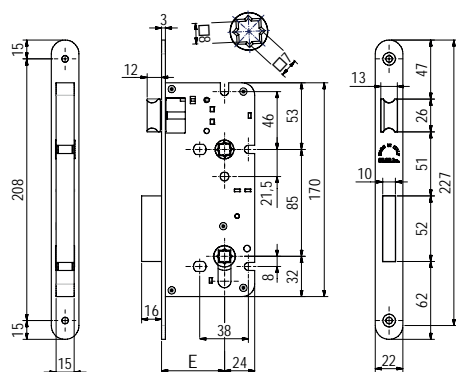
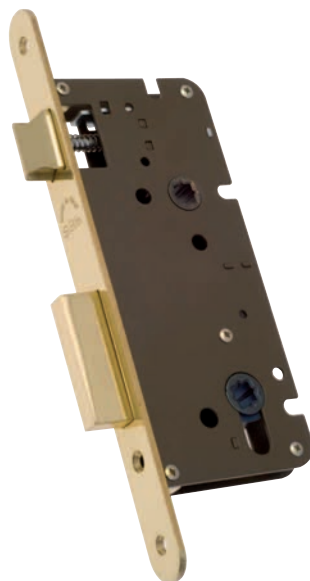
Bathroom lock  
Double square hole 8mm  
Bolt and Latch  
1 Turn  
Square hole movement | Round Edge

**STANDARD FINISHINGS**

- Front plate, Bolt, Latch OLV

**ACCESSORIES**

- Striking plate with tab Art. T357 OLV
- Plastic bolt and latch milling cover Art. C371
- Fixing screws



**T2216/85**

Serratura per bagno | Doppio quadro 8mm | Catenaccio e Scrocco | 1 Mandata | Azionamento quadro 8mm | Bordo Tondo

Bathroom lock | Double square hole 8mm | Bolt and Latch | 1 Turn | Square hole movement | Round Edge

Codice Code	Finitura Finishing						
T2216 85 40	---						
T2216 85 45	---						
T2216 85 50	---						
T2216 85 60	---	1	22x3x238	85		1	20
T2216 85 70	---						
T2216 85 80	---						

**Finiture Standard | Standard Finishings**

**Finiture Speciali | Special Finishings**

Finitura Finishing	OLV	OS	OC OCS ONS	OB OGR OGM	PLO	AB SFE	OBL OBS	PVD	XSO INOX
---									

Serie  
**2200**



Serrature da infilare a cilindro  
Mortice locks for profile cylinder

**2116**

Serratura per bagno  
 Quadro 8mm  
 Solo Catenaccio  
 1 Mandata  
 Azionamento quadro 8mm

**FINITURA DI SERIE**

- Piastra frontale, Catenaccio OLV

**DOTAZIONE**

- Contropiastra Art. 354 OLV
- Vaschetta coprifresata scrocco e catenaccio Art. C371
- Viti di fissaggio

Bathroom lock  
 Square hole 8mm  
 Bolt only  
 1 Turn  
 Square hole movement

**STANDARD FINISHINGS**

- Front plate, Bolt OLV

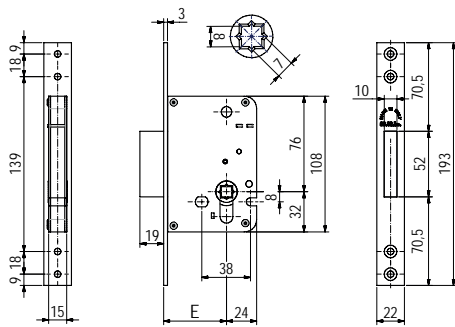
**ACCESSORIES**

- Striking plate Art. 354 OLV
- Plastic bolt and latch milling cover Art. C371
- Fixing screws

Serie **2200**



Serrature da infilare a cilindro  
 Mortice locks for profile cylinder



**2116**

Serratura per bagno | Quadro 8mm | Solo Catenaccio | 1 Mandata | Azionamento quadro 8mm

Bathroom lock | Square hole 8mm | Bolt only | 1 Turn | Square hole movement

Codice Code	Finitura Finishing					
02116 40 ___ 4	---					
02116 45 ___ 4	---					
02116 50 ___ 4	---	1	22x3x193		1	25
02116 60 ___ 4	---					
02116 70 ___ 4	---					
02116 80 ___ 4	---					

**Finiture Standard | Standard Finishings**

**Finiture Speciali | Special Finishings**

Finitura Finishing	OLV	OS	OCL OCS ONS	OB OGR OGM	PLO	AB SFE	OBL OBS	PVD	XSO INOX
---									

**T2116**

Serratura per bagno  
 Quadro 8mm  
 Solo Catenaccio  
 1 Mandata  
 Azionamento quadro 8mm | Bordo Tondo

FINITURA DI SERIE

- Piastra frontale, Catenaccio OLV

DOTAZIONE

- Contropiastra Art. T354 OLV
- Vaschetta coprifresata scrocco e catenaccio Art. C371
- Viti di fissaggio

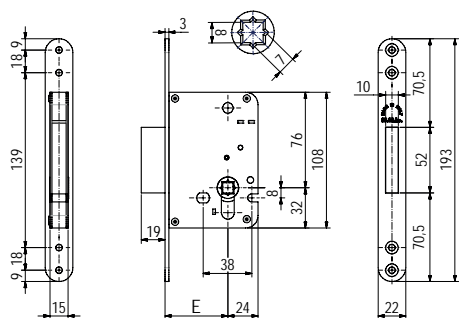
Bathroom lock  
 Square hole 8mm  
 Bolt only  
 1 Turn  
 Square hole movement | Round Edge

STANDARD FINISHINGS

- Front plate, Bolt OLV

ACCESSORIES

- Striking plate Art. T354 OLV
- Plastic bolt and latch milling cover Art. C371
- Fixing screws



**T2116**

Serratura per bagno | Quadro 8mm | Solo Catenaccio | 1 Mandata | Azionamento quadro 8mm | Bordo Tondo

Bathroom lock | Square hole 8mm | Bolt only | 1 Turn | Square hole movement | Round Edge

Codice Code	Finitura Finishing					
T2116 40 ___ 4	---					
T2116 45 ___ 4	---					
T2116 50 ___ 4	---					
T2116 60 ___ 4	---	1	22x3x193		1	25
T2116 70 ___ 4	---					
T2116 80 ___ 4	---					

Finiture Standard | Standard Finishings

Finiture Speciali | Special Finishings

Finitura Finishing	OLV	OS	OC OCS ONS	OB OGR OGM	PLO	AB SFE	OBL OBS	PVD	XSO INOX
---									

Serie  
**2200**



Serrature da infilare a cilindro  
 Mortice locks for profile cylinder

**2202-2207**

**Catenaccio Antistrappo**  
**Rullo registrabile**  
**1-2 Mandate**  
**Azionamento a cilindro**

**FINITURA DI SERIE**

- Piastra frontale, Catenaccio, Rullo OLV

**DOTAZIONE**

- Contropiastra con aletta Art. 357R OLV
- Vaschetta coprifresata scrocco e catenaccio Art. C371
- Viti di fissaggio
- **CILINDRO ESCLUSO**

*Tamper proof bolt*  
*Adjustable roller*  
*1-2 Turns*  
*Cylinder movement*

**STANDARD FINISHINGS**

- Front plate, Bolt, Roller OLV

**ACCESSORIES**

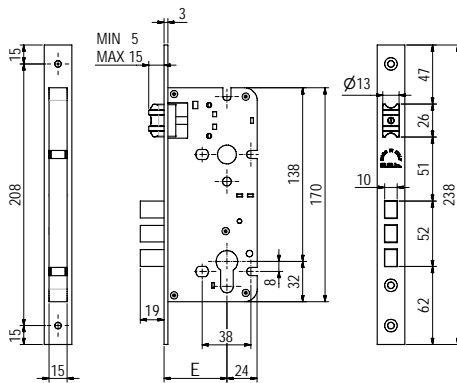
- Striking plate with tab Art. 357R OLV
- Plastic bolt and latch milling cover Art. C371
- Fixing screws
- **CYLINDER NOT INCLUDED**



Serie **2200**



Serrature da infilare a cilindro  
 Moricce locks for profile cylinder



**2202**  
**2207**

**Catenaccio Antistrappo | Rullo registrabile | 1-2 Mandate | Azionamento a cilindro**  
*Tamper proof bolt | Adjustable roller | 1-2 Turns | Cylinder movement*

Codice Code	Finitura Finishing						
02202 45 ___ 7	---						
02202 50 ___ 7	---						
02202 60 ___ 7	---	2					
02202 70 ___ 7	---						
02202 80 ___ 7	---		22x3x238				
02207 45 ___ 7	---					1	20
02207 50 ___ 7	---						
02207 60 ___ 7	---	1					
02207 70 ___ 7	---						
02207 80 ___ 7	---						

**Finiture Standard | Standard Finishings**

**Finiture Speciali | Special Finishings**

Finitura Finishing	OLV	OS	OCL OCS ONS	OB OGR OGM	PLO	AB SFE	OBL OBS	PVD	XSO INOX
---									

**T2202-T2207**

Catenaccio Antistrappo  
 Rullo registrabile  
 1-2 Mandate  
 Azionamento a cilindro  
 Bordo Tondo

Tamper proof bolt  
 Adjustable roller  
 1-2 Turns  
 Cylinder movement  
 Round Edge

FINITURA DI SERIE

- Piastra frontale, Catenaccio, Rullo OLV

STANDARD FINISHINGS

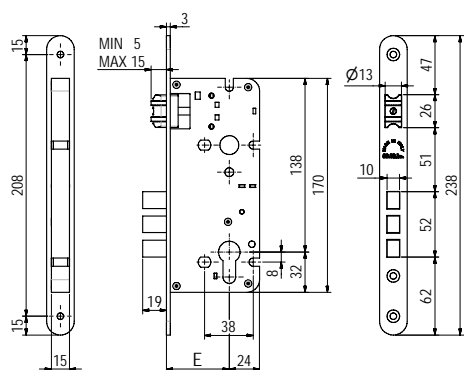
- Front plate, Bolt, Roller OLV

DOTAZIONE

- Contropiastra con aletta Art. T357R OLV
- Vaschetta coprifresata scrocco e catenaccio Art. C371
- Viti di fissaggio
- CILINDRO ESCLUSO

ACCESSORIES

- Striking plate with tab Art. T357R OLV
- Plastic bolt and latch milling cover Art. C371
- Fixing screws
- CYLINDER NOT INCLUDED



**T2202**  
**T2207**

Catenaccio Antistrappo | Rullo registrabile | 1-2 Mandate | Azionamento a cilindro | Bordo Tondo

Tamper proof bolt | Adjustable roller | 1-2 Turns | Cylinder movement | Round Edge

Codice Code	Finitura Finishing					
T2202 45 ___ 7	---					45
T2202 50 ___ 7	---					50
T2202 60 ___ 7	---	2				60
T2202 70 ___ 7	---					70
T2202 80 ___ 7	---					80
T2207 45 ___ 7	---		22x3x238			45
T2207 50 ___ 7	---					50
T2207 60 ___ 7	---	1				60
T2207 70 ___ 7	---					70
T2207 80 ___ 7	---					80

Finitura Finishing	Finiture Standard   Standard Finishings				Finiture Speciali   Special Finishings				
	OLV	OS	OCL OCS ONS	OB OGR OGM	PLO	AB SFE	OBL OBS	PVD	XSO INOX
---									

Serie  
**2200**



Serrature da infilare a cilindro  
 Mortice locks for profile cylinder

**2212-2217**

**Catenaccio**  
**Rullo registrabile**  
**1-2 Mandate**  
**Azionamento a cilindro**

**FINITURA DI SERIE**

- Piastra frontale, Catenaccio, Rullo OLV

**DOTAZIONE**

- Contropiastra con aletta Art. 357R OLV
- Vaschetta coprifresata scrocco e catenaccio Art. C371
- Viti di fissaggio
- **CILINDRO ESCLUSO**

**Bolt**  
**Adjustable roller**  
**1-2 Turns**  
**Cylinder movement**

**STANDARD FINISHINGS**

- Front plate, Bolt, Roller OLV

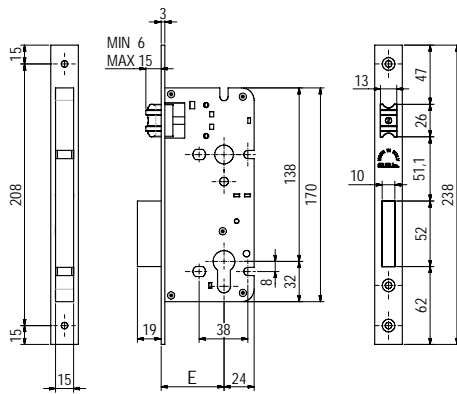
**ACCESSORIES**

- Striking plate with tab Art. 357R OLV
- Plastic bolt and latch milling cover Art. C371
- Fixing screws
- **CYLINDER NOT INCLUDED**

Serie **2200**



Serrature da infilare a cilindro  
 Morrice locks for profile cylinder



**2212** Catenaccio | Rullo registrabile | 1-2 Mandate | Azionamento a cilindro  
**2217** Bolt | Adjustable roller | 1-2 Turns | Cylinder movement

Codice Code	Finitura Finishing					
02212 40 ___ 7	---					
02212 45 ___ 7	---					
02212 50 ___ 7	---					
02212 60 ___ 7	---	2				
02212 70 ___ 7	---					
02212 80 ___ 7	---		22x3x238			1
02217 40 ___ 7	---					
02217 45 ___ 7	---					
02217 50 ___ 7	---					
02217 60 ___ 7	---	1				
02217 70 ___ 7	---					
02217 80 ___ 7	---					

**Finiture Standard | Standard Finishings**

**Finiture Speciali | Special Finishings**

Finitura Finishing	OLV	OS	OCL OCS ONS	OB OGR OGM	PLO	AB SFE	OBL OBS	PVD	XSO INOX
---									



**T2212-T2217**

Catenaccio  
 Rullo registrabile  
 1-2 Mandate  
 Azionamento a cilindro  
 Bordo Tondo

FINITURA DI SERIE

- Piastra frontale, Catenaccio, Rullo OLV

DOTAZIONE

- Contropiastra con aletta Art. T357R OLV  
 - Vaschetta coprifresata scrocco e catenaccio Art. C371  
 - Viti di fissaggio  
 - CILINDRO ESCLUSO

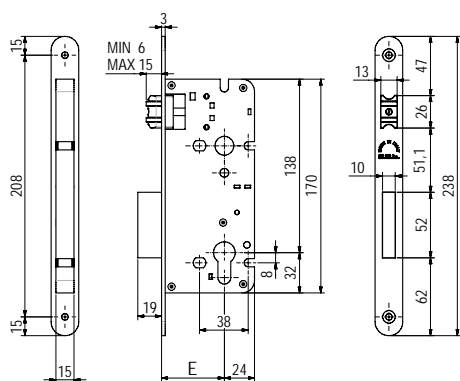
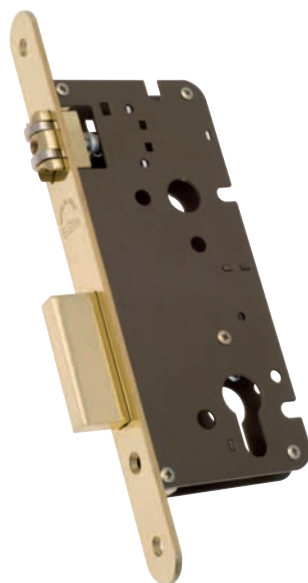
Bolt  
 Adjustable roller  
 1-2 Turns  
 Cylinder movement  
 Round Edge

STANDARD FINISHINGS

- Front plate, Bolt, Roller OLV

ACCESSORIES

- Striking plate with tab Art. T357R OLV  
 - Plastic bolt and latch milling cover Art. C371  
 - Fixing screws  
 - CYLINDER NOT INCLUDED



**T2212**  
**T2217**

Catenaccio | Rullo registrabile | 1-2 Mandate | Azionamento a cilindro | Bordo Tondo

Bolt | Adjustable roller | 1-2 Turns | Cylinder movement | Round Edge

Codice Code	Finitura Finishing	2	1	1	20
T2212 40 ___ 7					
T2212 45 ___ 7					
T2212 50 ___ 7					
T2212 60 ___ 7					
T2212 70 ___ 7					
T2212 80 ___ 7					
T2217 40 ___ 7		22x3x238		1	20
T2217 45 ___ 7					
T2217 50 ___ 7					
T2217 60 ___ 7					
T2217 70 ___ 7					
T2217 80 ___ 7					

Finitura Finishing	Finiture Standard   Standard Finishings				Finiture Speciali   Special Finishings				
	OLV	OS	OCL OCS ONS	OB OGR OGM	PLO	AB SFE	OBL OBS	PVD	XSO INOX
---									

Serie  
**2200**



Serrature da infilare a cilindro  
 Mortice locks for profile cylinder

**2200/90**

**Catenaccio Antistrappo e Scrocco**

**2 Mandate**

**Azionamento a cilindro**

**FINITURA DI SERIE**

- Piastra frontale, Catenaccio, Scrocco OLV

**DOTAZIONE**

- Contropiastra con aletta Art. 357 OLV
- Vaschetta coprifresata scrocco e catenaccio Art. C371
- Viti di fissaggio
- CILINDRO ESCLUSO

*Tamper proof bolt and latch*

*2 Turns*

*Cylinder movement*

**STANDARD FINISHINGS**

- Front plate, Bolt, Latch OLV

**ACCESSORIES**

- Striking plate with tab Art. 357 OLV
- Plastic bolt and latch milling cover Art. C371
- Fixing screws
- CYLINDER NOT INCLUDED

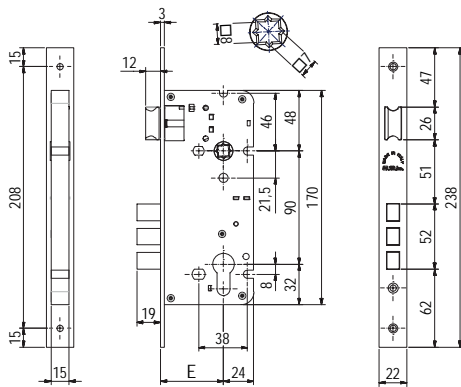
Serie

**2200**



Serrature da infilare a cilindro

Morice locks for profile cylinder



**2200/90**

**Catenaccio Antistrappo e Scrocco | 2 Mandate | Azionamento a cilindro**

*Tamper proof bolt and latch | 2 Turns | Cylinder movement*

Codice Code	Finitura Finishing						
02200 90 45 ___ 7	---						45
02200 90 50 ___ 7	---	2	22x3x238	90			50
02200 90 60 ___ 7	---						60
02200 90 70 ___ 7	---						70

Finitura Finishing	Finiture Standard   Standard Finishings				Finiture Speciali   Special Finishings				
	OLV	OS	OCL OCS ONS	OB OGR OGM	PLO	AB SFE	OBL OBS	PVD	XSO INOX
---									

**T2200/90**

**Catenaccio Antistrappo e Scrocco**

2 Mandate

Azionamento a cilindro

Bordo Tondo

**FINITURA DI SERIE**

- Piastra frontale, Catenaccio, Scrocco OLV

**DOTAZIONE**

- Contropiastra con aletta Art. T357 OLV
- Vaschetta coprifresata scrocco e catenaccio Art. C371
- Viti di fissaggio
- CILINDRO ESCLUSO

Tamper proof bolt and latch

2 Turns

Cylinder movement

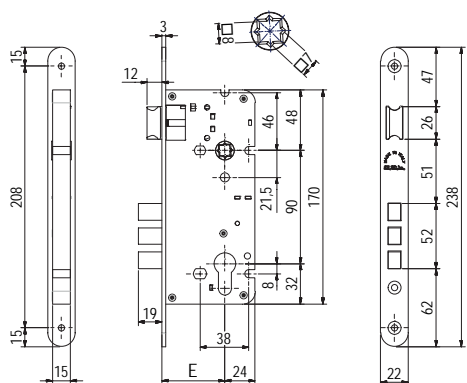
Round Edge

**STANDARD FINISHINGS**

- Front plate, Bolt, Latch OLV

**ACCESSORIES**

- Striking plate with tab Art. T357 OLV
- Plastic bolt and latch milling cover Art. C371
- Fixing screws
- CYLINDER NOT INCLUDED



**T2200/90**

Catenaccio Antistrappo e Scrocco | 2 Mandate | Azionamento a cilindro | Bordo Tondo

Tamper proof bolt and latch | 2 Turns | Cylinder movement | Round Edge

Codice Code	Finitura Finishing						
T2200 90 45 ___ 7	---				45		
T2200 90 50 ___ 7	---	2	22x3x238	90	50	1	20
T2200 90 60 ___ 7	---				60		
T2200 90 70 ___ 7	---				70		

Finitura Finishing	Finiture Standard   Standard Finishings				Finiture Speciali   Special Finishings				
	OLV	OS	OCL OCS ONS	OB OGR OGM	PLO	AB SFE	OBL OBS	PVD	XSO INOX
---									

Serie  
**2200**



Serrature da infilare a cilindro  
Mortice locks for profile cylinder

**2210/90**

Catenaccio e Scrocco  
2 Mandate  
Azionamento a cilindro

FINITURA DI SERIE

- Piastra frontale, Catenaccio, Scrocco OLV

DOTAZIONE

- Contropiastra con aletta Art. 357 OLV
- Vaschetta coprifresata scrocco e catenaccio Art. C371
- Viti di fissaggio
- CILINDRO ESCLUSO

Bolt and Latch  
2 Turns  
Cylinder movement

STANDARD FINISHINGS

- Front plate, Bolt, Latch OLV

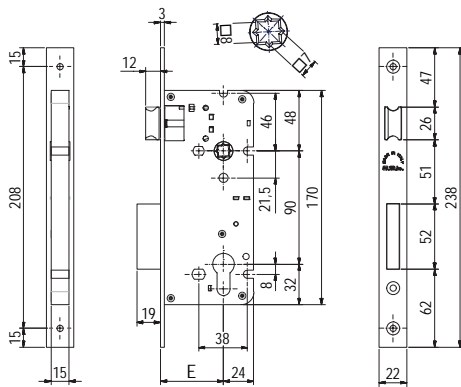
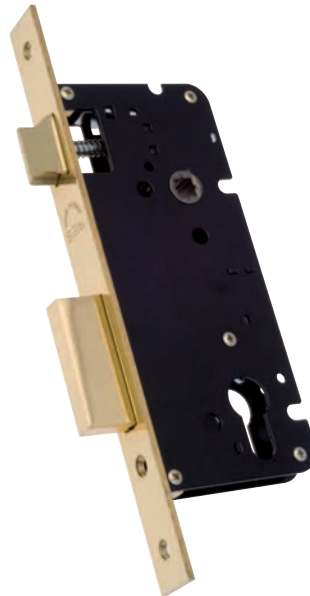
ACCESSORIES

- Striking plate with tab Art. 357 OLV
- Plastic bolt and latch milling cover Art. C371
- Fixing screws
- CYLINDER NOT INCLUDED

Serie **2200**



Serrature da infilare a cilindro  
Mortice locks for profile cylinder



**2210/90**

Catenaccio e Scrocco | 2 Mandate | Azionamento a cilindro

Bolt and Latch | 2 Turns | Cylinder movement

Codice Code	Finitura Finishing					
02210 90 40 ___ 7	---					
02210 90 45 ___ 7	---					
02210 90 50 ___ 7	---	2	22x3x238	90		1
02210 90 60 ___ 7	---					
02210 90 70 ___ 7	---					20

Finiture Standard | Standard Finishings

Finiture Speciali | Special Finishings

Finitura Finishing	OLV	OS	OCL OCS ONS	OB OGR OGM	PLO	AB SFE	OBL OBS	PVD	XSO INOX
---									

**T2210/90**

Catenaccio e Scrocco  
2 Mandate  
Azionamento a cilindro  
Bordo Tondo

FINITURA DI SERIE

- Piastra frontale, Catenaccio, Scrocco OLV

DOTAZIONE

- Contropiastra con aletta Art. T357 OLV
- Vaschetta coprifresata scrocco e catenaccio Art. C371
- Viti di fissaggio
- CILINDRO ESCLUSO

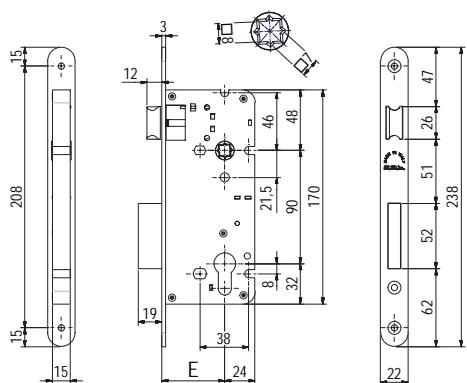
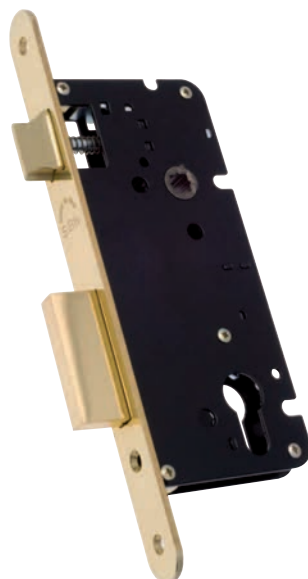
Bolt and Latch  
2 Turns  
Cylinder movement  
Round Edge

STANDARD FINISHINGS

- Front plate, Bolt, Latch OLV

ACCESSORIES

- Striking plate with tab Art. T357 OLV
- Plastic bolt and latch milling cover Art. C371
- Fixing screws
- CYLINDER NOT INCLUDED



**T2210/90**

Catenaccio e Scrocco | 2 Mandate | Azionamento a cilindro | Bordo Tondo

Bolt and Latch | 2 Turns | Cylinder movement | Round Edge

Codice Code	Finitura Finishing						
T2210 90 40 ___ 7	---						
T2210 90 45 ___ 7	---						
T2210 90 50 ___ 7	---	2	22x3x238	90		1	20
T2210 90 60 ___ 7	---						
T2210 90 70 ___ 7	---						

Finitura Finishing	Finiture Standard   Standard Finishings				Finiture Speciali   Special Finishings				
	OLV	OS	OCL OCS ONS	OB OGR OGM	PLO	AB SFE	OBL OBS	PVD	XSO INOX
---									

Serie  
**2200**



Serrature da infilare a cilindro  
Mortice locks for profile cylinder

2216/90

Serratura per bagno  
 Doppio quadro 8mm  
 Catenaccio e Scrocco  
 1 Mandata  
 Azionamento quadro 8mm

FINITURA DI SERIE

- Piastra frontale, Catenaccio, Scrocco OLV

DOTAZIONE

- Contropiastra con aletta Art. 357 OLV
- Vaschetta coprifresata scrocco e catenaccio Art. C371
- Viti di fissaggio

Bathroom lock  
 Double square hole 8mm  
 Bolt and Latch  
 1 Turn  
 Square hole movement

STANDARD FINISHINGS

- Front plate, Bolt, Latch OLV

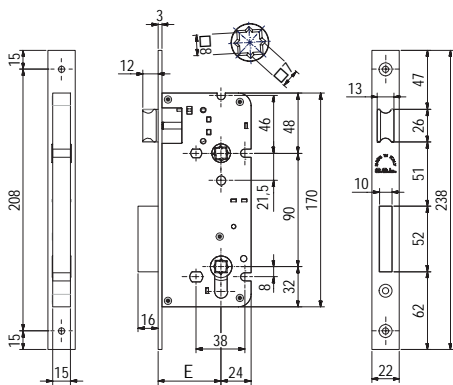
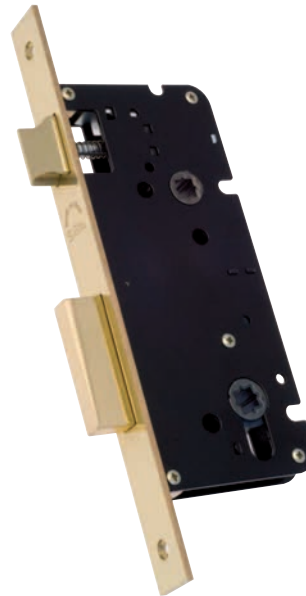
ACCESSORIES

- Striking plate with tab Art. 357 OLV
- Plastic bolt and latch milling cover Art. C371
- Fixing screws

Serie 2200



Serrature da infilare a cilindro  
 Mortice locks for profile cylinder



2216/90

Serratura per bagno | Doppio quadro 8mm | Catenaccio e Scrocco | 1 Mandata | Azionamento quadro 8mm

Bathroom lock | Double square hole 8mm | Bolt and Latch | 1 Turn | Square hole movement

Codice Code	Finitura Finishing					
02216 90 40 ___ 7	---					40
02216 90 45 ___ 7	---					45
02216 90 50 ___ 7	---	1	22x3x238	90		50
02216 90 60 ___ 7	---					60
02216 90 70 ___ 7	---					70

Finiture Standard | Standard Finishings

Finiture Speciali | Special Finishings

Finitura Finishing	OLV	OS	OCL OCS ONS	OB OGR OGM	PLO	AB SFE	OBL OBS	PVD	XSO INOX
---									

**T2216/90**

Serratura per bagno  
 Doppio quadro 8mm  
 Catenaccio e Scrocco  
 1 Mandata  
 Azionamento quadro 8mm | Bordo Tondo

**FINITURA DI SERIE**

- Piastra frontale, Catenaccio, Scrocco OLV

**DOTAZIONE**

- Contropiastra con aletta Art. T357 OLV
- Vaschetta coprifresata scrocco e catenaccio Art. C371
- Viti di fissaggio

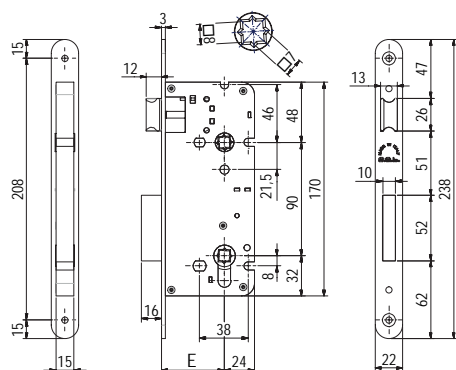
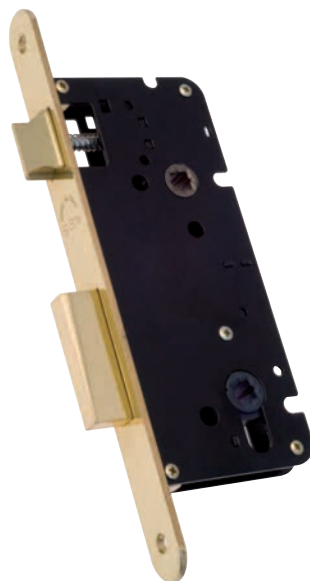
Bathroom lock  
 Double square hole 8mm  
 Bolt and Latch  
 1 Turn  
 Square hole movement | Round Edge

**STANDARD FINISHINGS**

- Front plate, Bolt, Latch OLV

**ACCESSORIES**

- Striking plate with tab Art. T357 OLV
- Plastic bolt and latch milling cover Art. C371
- Fixing screws



**T2216/90**

Serratura per bagno | Doppio quadro 8mm | Catenaccio e Scrocco | 1 Mandata | Azionamento quadro 8mm | Bordo Tondo

Bathroom lock | Double square hole 8mm | Bolt and Latch | 1 Turn | Square hole movement | Round Edge

Codice Code	Finitura Finishing					
T2216 90 40 ___ 7	---					
T2216 90 45 ___ 7	---					
T2216 90 50 ___ 7	---	1	22x3x238	90		20
T2216 90 60 ___ 7	---					
T2216 90 70 ___ 7	---					

Finitura Finishing	Finiture Standard   Standard Finishings				Finiture Speciali   Special Finishings				
	OLV	OS	OC OCS ONS	OB OGR OGM	PLO	AB SFE	OBL OBS	PVD	XSO INOX
---									

Serie  
**2200**



Serrature da infilare a cilindro  
 Mortice locks for profile cylinder



**2260/90-2265/90**

**Catenaccio e Scrocco**  
**1-2 Mandate**  
**Azionamento con Chiave Patent**

**FINITURA DI SERIE**

- Piastra frontale, Catenaccio, Scrocco, Chiave OLV

**DOTAZIONE**

- Contropiastra con aletta Art. 357 OLV
- Vaschetta coprifresata scrocco e catenaccio Art. C371
- Viti di fissaggio
- Chiave Art. 384 OLV (Cifratura UNICA)

*Bolt and Latch*  
*1-2 Turns*  
*Patent Key movement*

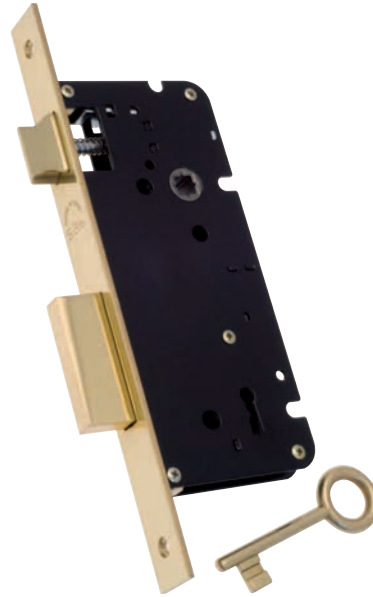
**STANDARD FINISHINGS**

- Front plate, Bolt, Latch, Key OLV

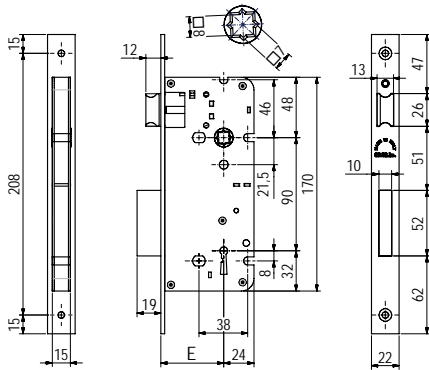
**ACCESSORIES**

- Striking plate with tab Art. 357 OLV
- Plastic bolt and latch milling cover Art. C371
- Fixing screws
- Key Art. 384 OLV (UNIQUE Code)

Serie **2200**



Serrature da infilare a cilindro  
 Morrice locks for profile cylinder



**2260/90**  
**2265/90**

**Catenaccio e Scrocco | 1-2 Mandate | Azionamento con Chiave Patent**  
*Bolt and Latch | 1-2 Turns | Patent Key movement*

Codice Code	Finitura Finishing					
02260 90 40 ___ 7						
02260 90 45 ___ 7						
02260 90 50 ___ 7		2				
02260 90 60 ___ 7						
02265 90 40 ___ 7			22x3x238	90		1 20
02265 90 45 ___ 7						
02265 90 50 ___ 7		1				
02265 90 60 ___ 7						

**Finiture Standard | Standard Finishings**

**Finiture Speciali | Special Finishings**

Finitura Finishing	OLV	OS	OCL OCS ONS	OB OGR OGM	PLO	AB SFE	OBL OBS	PVD	XSO INOX
---									

**T2260/90-T2265/90**

Catenaccio e Scrocco  
1-2 Mandate  
Azionamento con Chiave Patent  
Bordo Tondo

FINITURA DI SERIE

- Piastra frontale, Catenaccio, Scrocco, Chiave OLV

DOTAZIONE

- Contropiastra con aletta Art. T357 OLV
- Vaschetta coprifresata scrocco e catenaccio Art. C371
- Viti di fissaggio
- Chiave Art. 384 OLV (Cifratura UNICA)

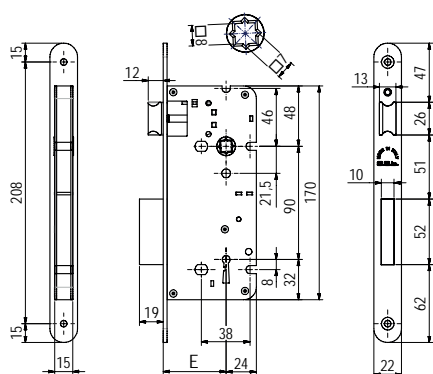
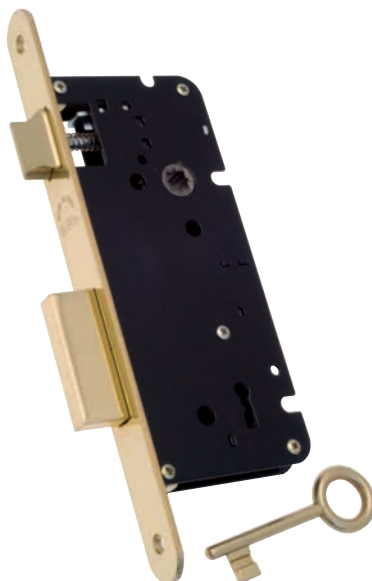
Bolt and Latch  
1-2 Turns  
Patent Key movement  
Round Edge

STANDARD FINISHINGS

- Front plate, Bolt, Latch, Key OLV

ACCESSORIES

- Striking plate with tab Art. T357 OLV
- Plastic bolt and latch milling cover Art. C371
- Fixing screws
- Key Art. 384 OLV (UNIQUE Code)



**T2260/90** Catenaccio e Scrocco | 1-2 Mandate | Azionamento con Chiave Patent | Bordo Tondo  
**T2265/90** Bolt and Latch | 1-2 Turns | Patent Key movement | Round Edge

Codice Code	Finitura Finishing						
T2260 90 40 ___ 7	---						40
T2260 90 45 ___ 7		2					45
T2260 90 50 ___ 7							50
T2260 90 60 ___ 7							60
T2265 90 40 ___ 7			22x3x238	90		1	20
T2265 90 45 ___ 7							45
T2265 90 50 ___ 7	1						50
T2265 90 60 ___ 7							60

Finitura Finishing	Finiture Standard   Standard Finishings				Finiture Speciali   Special Finishings				
	OLV	OS	OCL OCS ONS	OB OGR OGM	PLO	AB SFE	OBL OBS	PVD	XSO INOX
---									

Serie  
**2200**



Serrature da infilare a cilindro  
Morice locks for profile cylinder

**2200/72**

**Catenaccio Antistrappo e Scrocco**  
**2 Mandate**  
**Azionamento a cilindro**

**FINITURA DI SERIE**

- Piastra frontale, Catenaccio, Scrocco OLV

**DOTAZIONE**

- Contropiastra con aletta Art. 357 OLV
- Vaschetta coprifresata scrocco e catenaccio Art. C371
- Viti di fissaggio
- CILINDRO ESCLUSO

*Tamper proof bolt and latch*  
*2 Turns*  
*Cylinder movement*

**STANDARD FINISHINGS**

- Front plate, Bolt, Latch OLV

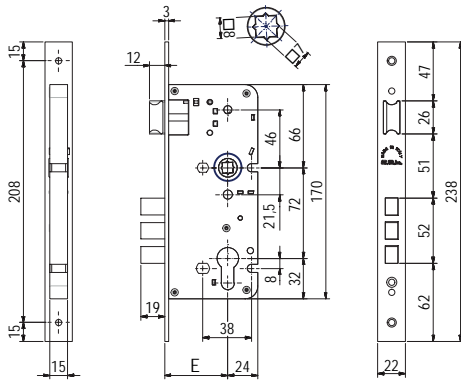
**ACCESSORIES**

- Striking plate with tab Art. 357 OLV
- Plastic bolt and latch milling cover Art. C371
- Fixing screws
- CYLINDER NOT INCLUDED

Serie **2200**



Serrature da infilare a cilindro  
 Mortice locks for profile cylinder



**2200/72**

**Catenaccio Antistrappo e Scrocco | 2 Mandate | Azionamento a cilindro**

*Tamper proof bolt and latch | 2 Turns | Cylinder movement*

Codice Code	Finitura Finishing						
02200 72 45 ___ 7	---						
02200 72 50 ___ 7	---						
02200 72 55 ___ 7	---	2	22x3x238	72			1 20
02200 72 60 ___ 7	---						
02200 72 70 ___ 7	---						

**Finiture Standard | Standard Finishings**

**Finiture Speciali | Special Finishings**

Finitura Finishing	OLV	OS	OCL OCS ONS	OB OGR OGM	PLO	AB SFE	OBL OBS	PVD	XSO INOX
---									

**T2200/72**

**Catenaccio Antistrappo e Scrocco**

2 Mandate

Azionamento a cilindro

Bordo Tondo

**FINITURA DI SERIE**

- Piastra frontale, Catenaccio, Scrocco OLV

**DOTAZIONE**

- Contropiastra con aletta Art. T357 OLV
- Vaschetta coprifresata scrocco e catenaccio Art. C371
- Viti di fissaggio
- CILINDRO ESCLUSO

Tamper proof bolt and latch

2 Turns

Cylinder movement

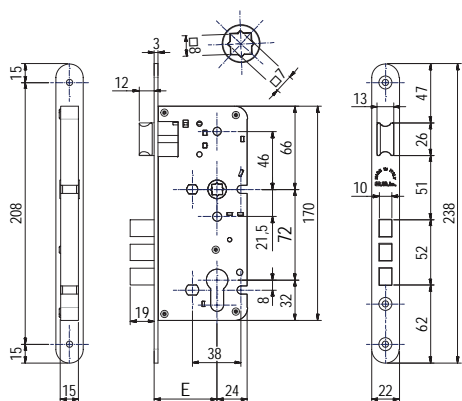
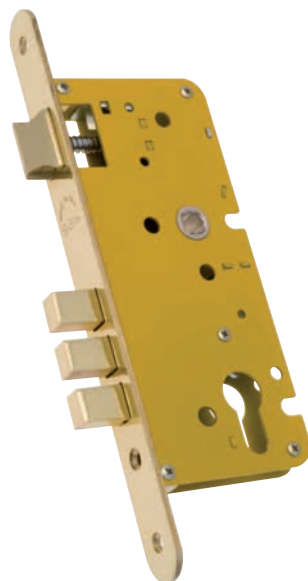
Round Edge

**STANDARD FINISHINGS**

- Front plate, Bolt, Latch OLV

**ACCESSORIES**

- Striking plate with tab Art. T357 OLV
- Plastic bolt and latch milling cover Art. C371
- Fixing screws
- CYLINDER NOT INCLUDED



**T2200/72**

Catenaccio Antistrappo e Scrocco | 2 Mandate | Azionamento a cilindro | Bordo Tondo

Tamper proof bolt and latch | 2 Turns | Cylinder movement | Round Edge

Codice Code	Finitura Finishing						
T2200 72 45 ___ 7	---				45		
T2200 72 50 ___ 7	---				50		
T2200 72 55 ___ 7	---	2	22x3x238	72	55	1	20
T2200 72 60 ___ 7	---				60		
T2200 72 70 ___ 7	---				70		

Finitura Finishing	Finiture Standard   Standard Finishings				Finiture Speciali   Special Finishings				
	OLV	OS	OCL OCS ONS	OB OGR OGM	PLO	AB SFE	OBL OBS	PVD	XSO INOX
---									

Serie  
**2200**



Serrature da infilare a cilindro  
Morice locks for profile cylinder

**2210/72**

Catenaccio e Scrocco  
2 Mandate  
Azionamento a cilindro

FINITURA DI SERIE

- Piastra frontale, Catenaccio, Scrocco OLV

DOTAZIONE

- Contropiastra con aletta Art. 357 OLV
- Vaschetta coprifresata scrocco e catenaccio Art. C371
- Viti di fissaggio
- CILINDRO ESCLUSO

Bolt and Latch  
2 Turns  
Cylinder movement

STANDARD FINISHINGS

- Front plate, Bolt, Latch OLV

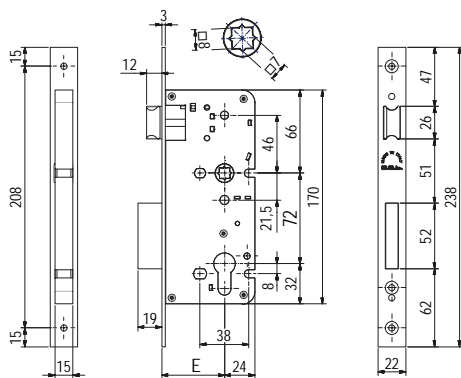
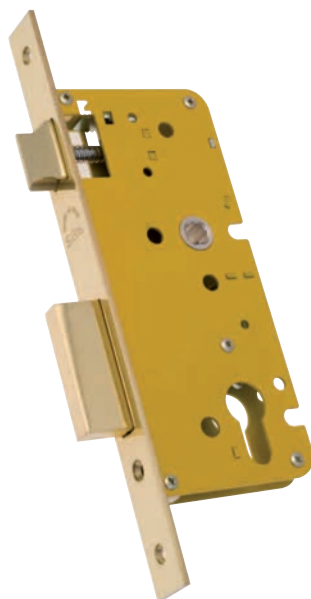
ACCESSORIES

- Striking plate with tab Art. 357 OLV
- Plastic bolt and latch milling cover Art. C371
- Fixing screws
- CYLINDER NOT INCLUDED

Serie **2200**



Serrature da infilare a cilindro  
Mortise locks for profile cylinder



**2210/72**

Catenaccio e Scrocco | 2 Mandate | Azionamento a cilindro

Bolt and Latch | 2 Turns | Cylinder movement

Codice Code	Finitura Finishing					
02210 72 40 ___ 7	---				40	
02210 72 45 ___ 7	---				45	
02210 72 50 ___ 7	---	2	22x3x238	72	50	1
02210 72 55 ___ 7	---				55	20
02210 72 60 ___ 7	---				60	
02210 72 70 ___ 7	---				70	

Finiture Standard | Standard Finishings

Finiture Speciali | Special Finishings

Finitura Finishing	OLV	OS	OCL OCS ONS	OB OGR OGM	PLO	AB SFE	OBL OBS	PVD	XSO INOX
---									

**T2210/72**

Catenaccio e Scrocco  
2 Mandate  
Azionamento a cilindro  
Bordo Tondo

FINITURA DI SERIE

- Piastra frontale, Catenaccio, Scrocco OLV

DOTAZIONE

- Contropiastra con aletta Art. T357 OLV
- Vaschetta coprifresata scrocco e catenaccio Art. C371
- Viti di fissaggio
- CILINDRO ESCLUSO

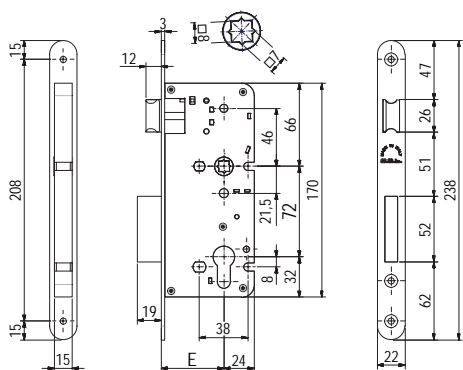
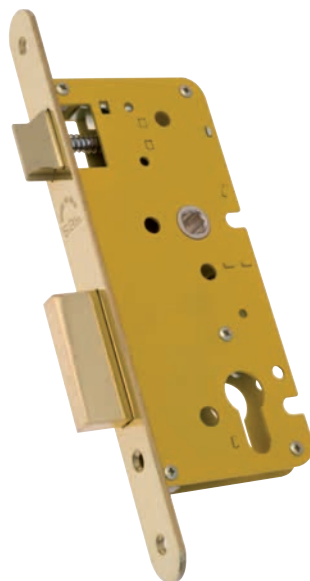
Bolt and Latch  
2 Turns  
Cylinder movement  
Round Edge

STANDARD FINISHINGS

- Front plate, Bolt, Latch OLV

ACCESSORIES

- Striking plate with tab Art. T357 OLV
- Plastic bolt and latch milling cover Art. C371
- Fixing screws
- CYLINDER NOT INCLUDED



**T2210/72**

Catenaccio e Scrocco | 2 Mandate | Azionamento a cilindro | Bordo Tondo

Bolt and Latch | 2 Turns | Cylinder movement | Round Edge

Codice Code	Finitura Finishing						
T2210 72 40 ___ 7	---						
T2210 72 45 ___ 7	---						
T2210 72 50 ___ 7	---						
T2210 72 55 ___ 7	---	2	22x3x238	72		1	20
T2210 72 60 ___ 7	---						
T2210 72 70 ___ 7	---						

Finitura Finishing	Finiture Standard   Standard Finishings				Finiture Speciali   Special Finishings				
	OLV	OS	OCL OCS ONS	OB OGR OGM	PLO	AB SFE	OBL OBS	PVD	XSO INOX
---									

Serie  
**2200**



Serrature da infilare a cilindro  
Mortice locks for profile cylinder

2216/72

Serratura per bagno  
 Doppio quadro 8mm  
 Catenaccio e Scrocco  
 1 Mandata  
 Azionamento quadro 8mm

FINITURA DI SERIE

- Piastra frontale, Catenaccio, Scrocco OLV

DOTAZIONE

- Contropiastra con aletta Art. 357 OLV
- Vaschetta coprifresata scrocco e catenaccio Art. C371
- Viti di fissaggio

Bathroom lock  
 Double square hole 8mm  
 Bolt and Latch  
 1 Turn  
 Square hole movement

STANDARD FINISHINGS

- Front plate, Bolt, Latch OLV

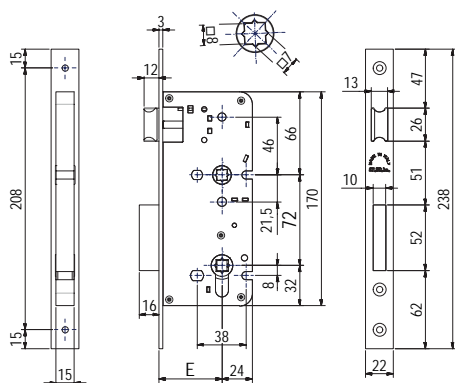
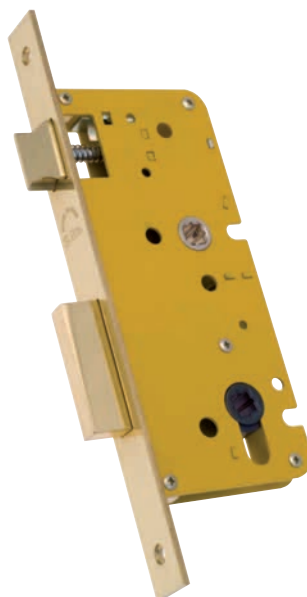
ACCESSORIES

- Striking plate with tab Art. 357 OLV
- Plastic bolt and latch milling cover Art. C371
- Fixing screws

Serie  
 2200



Serrature da infilare a cilindro  
 Mortice locks for profile cylinder



2216/72

Serratura per bagno | Doppio quadro 8mm | Catenaccio e Scrocco | 1 Mandata | Azionamento quadro 8mm

Bathroom lock | Double square hole 8mm | Bolt and Latch | 1 Turn | Square hole movement

Codice Code	Finitura Finishing					
02216 72 40 ___ 7	---					40
02216 72 45 ___ 7	---					45
02216 72 50 ___ 7	---					50
02216 72 55 ___ 7	---	1	22x3x238	72	1	55
02216 72 60 ___ 7	---					60
02216 72 70 ___ 7	---					70

Finiture Standard | Standard Finishings

Finiture Speciali | Special Finishings

Finitura Finishing	OLV	OS	OCL OCS ONS	OB OGR OGM	PLO	AB SFE	OBL OBS	PVD	XSO INOX
---									

**T2216/72**

Serratura per bagno  
 Doppio quadro 8mm  
 Catenaccio e Scrocco  
 1 Mandata  
 Azionamento quadro 8mm | Bordo Tondo

FINITURA DI SERIE

- Piastra frontale, Catenaccio, Scrocco OLV

DOTAZIONE

- Contropiastra con aletta Art. T357 OLV
- Vaschetta coprifresata scrocco e catenaccio Art. C371
- Viti di fissaggio

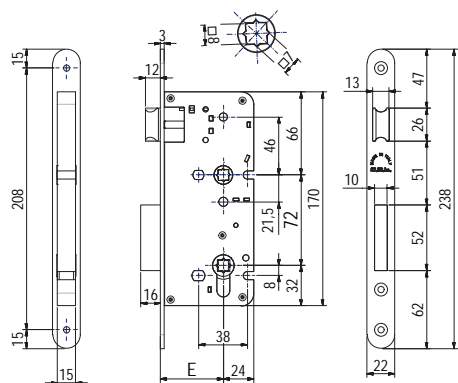
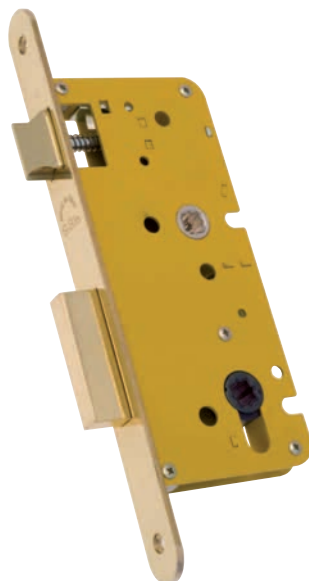
Bathroom lock  
 Double square hole 8mm  
 Bolt and Latch  
 1 Turn  
 Square hole movement | Round Edge

STANDARD FINISHINGS

- Front plate, Bolt, Latch OLV

ACCESSORIES

- Striking plate with tab Art. T357 OLV
- Plastic bolt and latch milling cover Art. C371
- Fixing screws



**T2216/72**

Serratura per bagno | Doppio quadro 8mm | Catenaccio e Scrocco | 1 Mandata | Azionamento quadro 8mm | Bordo Tondo

Bathroom lock | Double square hole 8mm | Bolt and Latch | 1 Turn | Square hole movement | Round Edge

Code	Finitura						
Code	Finishing						
---	---						
T2216 72 40	---					40	
T2216 72 45	---					45	
T2216 72 50	---					50	
T2216 72 55	---	1	22x3x238	72		55	1 20
T2216 72 60	---					60	
T2216 72 70	---					70	

Finiture Standard | Standard Finishings

Finiture Speciali | Special Finishings

Finitura	OLV	OS	OCL	OB	PLO	AB	OBL	PVD	XSO
Finishing			OCS	OGR		SFE	OBS		INOX
---			ONS	OGM					
---									

Serie  
**2200**



Serrature da infilare a cilindro  
 Mortice locks for profile cylinder